

PLEASE CHECK WWW.MOLEX.COM FOR LATEST PART INFORMATION

Part Number: [0850090115](#)
Status: **Active**
Overview: [din_41612](#)
Description: 2.54mm (.100") Pitch DIN 41612/EIC 603-2 Mixed Layout Connector, Male Style M, Right Angle, Through Hole, 0.6µm (24µ") Selective Gold (Au), 80 Circuits

Documents:

[3D Model](#) [Product Specification PS-85003-0001 \(PDF\)](#)
[Drawing \(PDF\)](#) [RoHS Certificate of Compliance \(PDF\)](#)

Agency Certification

CSA LR19980
 UL E29179

General

Product Family Backplane Connectors
 Series [85009](#)
 Application Backplane
 Comments Mixed Layout
 Component Type PCB Header
 Overview [din_41612](#)
 Product Name IEC 603-2/DIN 41612
 Style M

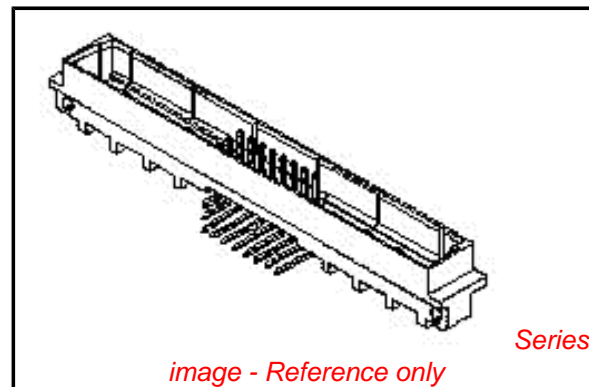
Physical

Circuits (Loaded) 80
 Circuits (maximum) 80
 Circuits Detail 78 + 2
 Durability (mating cycles max) 400
 First Mate / Last Break No
 Flammability 94V-0
 Guide to Mating Part No
 Keying to Mating Part Yes
 Number of Columns 26
 Number of Pairs Open Pin Field
 Number of Rows 3
 Orientation Right Angle
 PC Tail Length (in) 0.118 In
 PC Tail Length (mm) 3.00 mm
 PCB Locator No
 PCB Retention None
 PCB Thickness Recommended (in) 0.062 In
 PCB Thickness Recommended (mm) 1.60 mm
 Packaging Type Tray
 Pitch - Mating Interface (in) 0.100 In
 Pitch - Mating Interface (mm) 2.54 mm
 Pitch - Term. Interface (in) 0.100 In
 Pitch - Term. Interface (mm) 2.54 mm
 Temperature Range - Operating -55°C to +125°C

Electrical

Current - Maximum per Contact 1.5A
 Data Rate 622.0 Mbps
 Voltage - Maximum 250V AC (RMS)

Material Info



EU RoHS

ELV and RoHS Compliant
REACH SVHC
 Not Reviewed
Halogen-Free Status
 Not Reviewed

China RoHS



Need more information on product environmental compliance?

Email productcompliance@molex.com
 For a multiple part number RoHS Certificate of Compliance, [click here](#)

Please visit the [Contact Us](#) section for any non-product compliance questions.

Search Parts in this Series

[85009Series](#)

Mates With

DIN 41612/IEC 603-2 Mixed Layout Connector [85048](#) , [85056](#)

Use With

[85023](#) DIN 41612 Coaxial Contact

Reference - Drawing Numbers

Packaging Specification

Product Specification

Sales Drawing

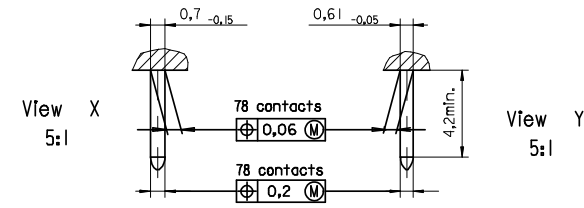
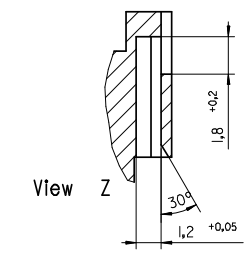
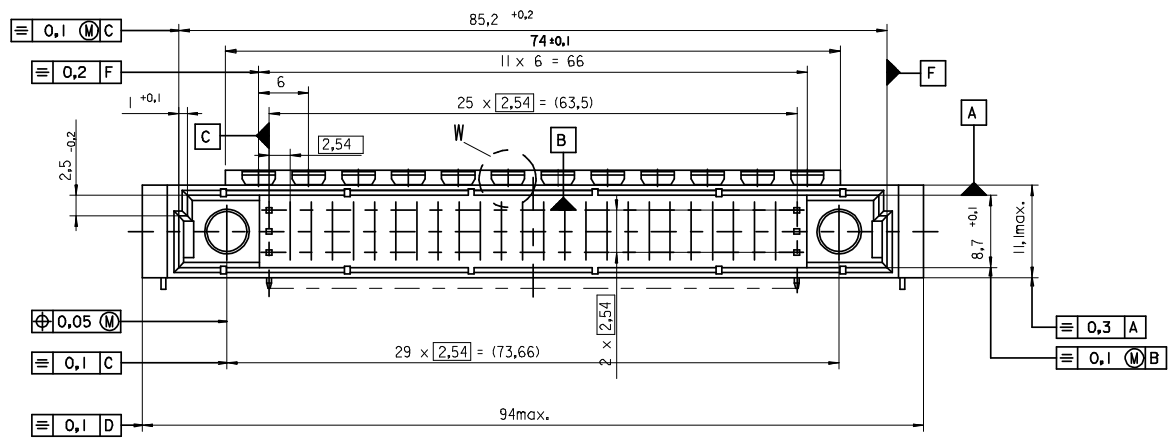
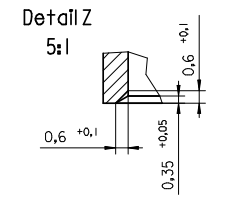
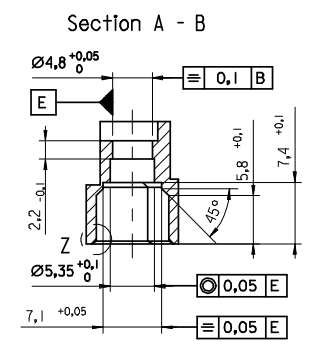
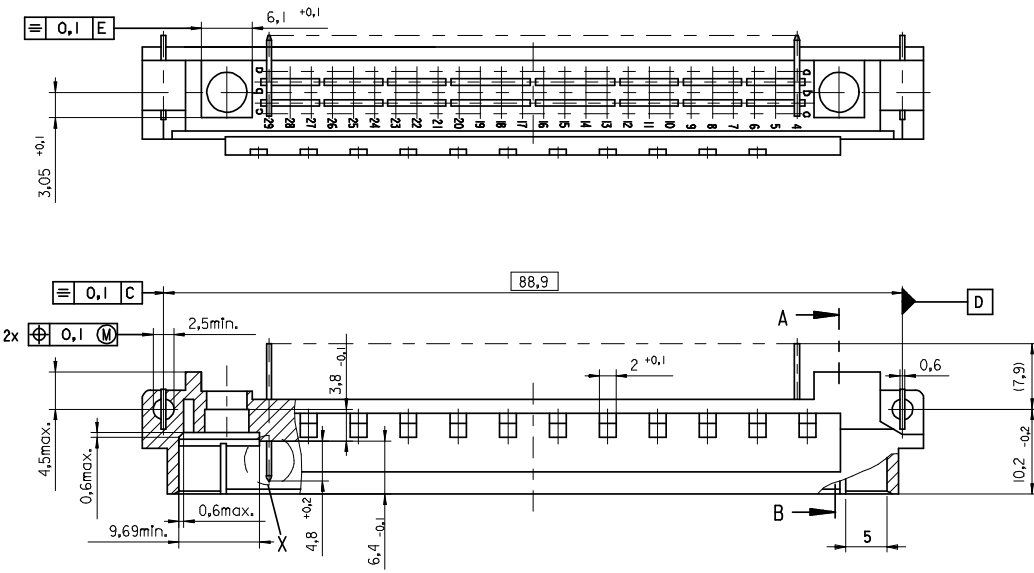
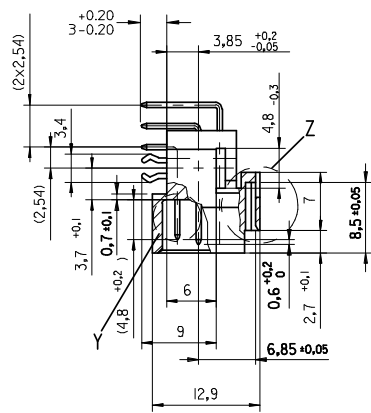
PK-85009-001

PS-85003-0001

SDA-85009-0004, SDA-85009-0115

This document was generated on 05/17/2010

PLEASE CHECK WWW.MOLEX.COM FOR LATEST PART INFORMATION



ENTER DESCRIPTION EC NO: 12009-0039 2008/07/28 DRAWNSJ CHYK:KPRASAD 2008/07/31 APPR:KPRASAD 2008/08/11 REV DESCRIPTION	QUALITY SYMBOLS ▽=0 ▽=0	GENERAL TOLERANCES (UNLESS SPECIFIED) <table border="1"> <tr> <th></th> <th>mm</th> <th>INCH</th> </tr> <tr> <td>4 PLACES</td> <td>± ---</td> <td>± ---</td> </tr> <tr> <td>3 PLACES</td> <td>± ---</td> <td>± ---</td> </tr> <tr> <td>2 PLACES</td> <td>± ---</td> <td>± ---</td> </tr> <tr> <td>1 PLACE</td> <td>± ---</td> <td>± ---</td> </tr> </table> ANGULAR ± 2 °		mm	INCH	4 PLACES	± ---	± ---	3 PLACES	± ---	± ---	2 PLACES	± ---	± ---	1 PLACE	± ---	± ---	DIMENSION STYLE MM ONLY	SCALE 2:1	DESIGN UNITS METRIC	THIRD ANGLE PROJECTION
		mm	INCH																		
4 PLACES	± ---	± ---																			
3 PLACES	± ---	± ---																			
2 PLACES	± ---	± ---																			
1 PLACE	± ---	± ---																			
DRAFT WHERE APPLICABLE MUST REMAIN WITHIN DIMENSIONS	DRAWN BY CA DATE 1995/06/14	CHECKED BY KN DATE 1995/06/14	APPROVED BY KN DATE 1995/06/14	MATERIAL NO. -----	DOCUMENT NO. SDA-85009-0004	SHEET NO. 2 OF 2															

78POS.
 MALE DIN CONNECTOR
 DIN 41612 STYLE M
MOLEX INCORPORATED

THIS DRAWING CONTAINS INFORMATION THAT IS PROPRIETARY TO MOLEX INCORPORATED AND SHOULD NOT BE USED WITHOUT WRITTEN PERMISSION

